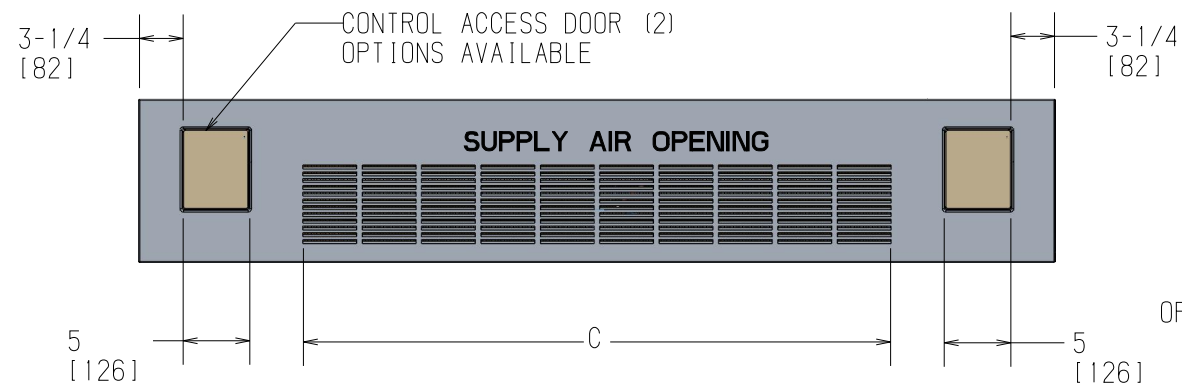
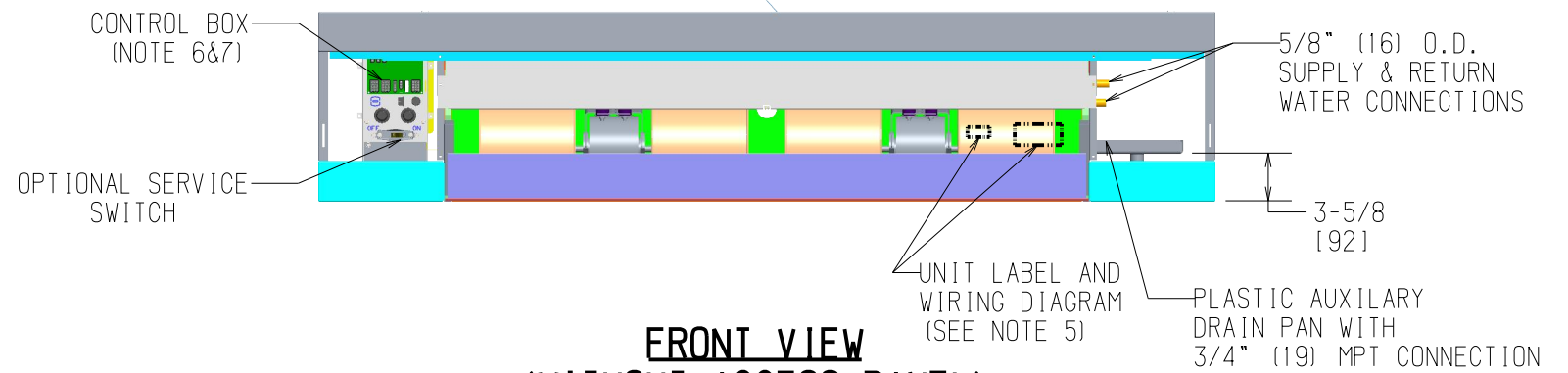


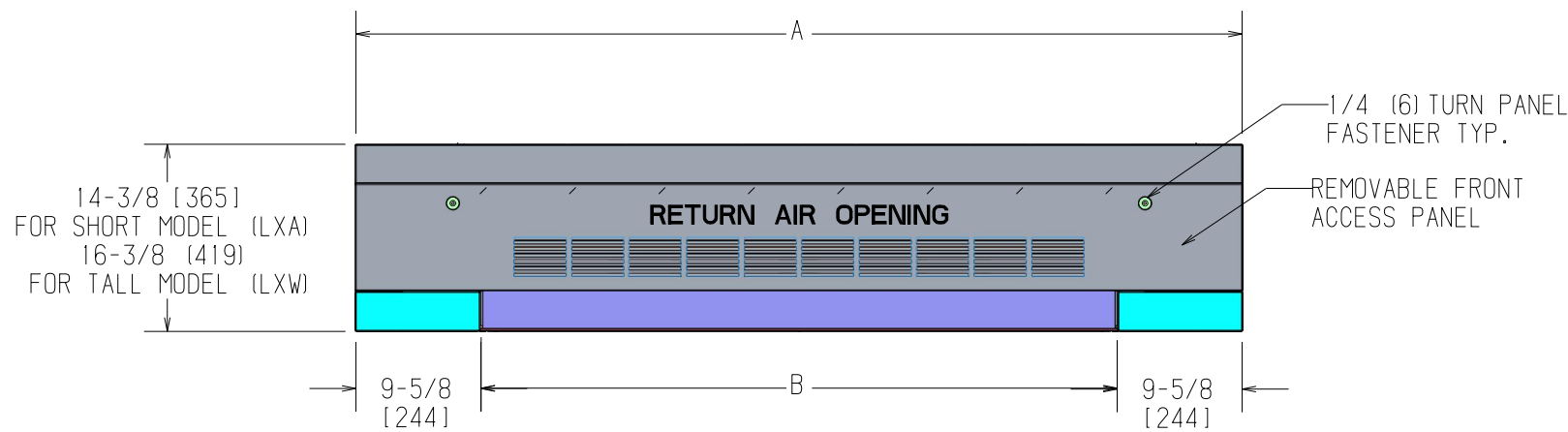
REVISION HISTORY		
REV	DATE	ECN
-	03/11/21	21-0295
A	08/05/21	21-0148



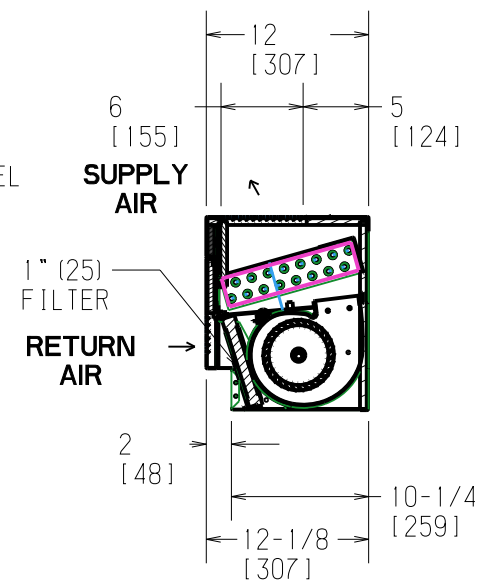
TOP VIEW



FRONT VIEW (WITHOUT ACCESS PANEL)



FRONT VIEW



RIGHT SIDE VIEW

- NOTES:
1. RH COIL SHOWN. LH OPPOSITE.
 2. ALL DIMENSIONS ARE +/- .25 (6). DRAWING NOT TO SCALE.
 3. PRODUCT SPECIFICATIONS ARE SUBJECT TO CHANGE WITHOUT NOTICE.
 4. CONTROL BOX SIZE AND POSITION MAY VARY (CONSULT FACTORY)
 5. POSITION MAY VARY.
 6. SERVICE ACCESS IS LOCATED ON THE FRONT OF THE CONTROL BOX.
 7. KNOCKOUTS ON THE BOTTOM AND SIDE OF THE CONTROL BOX FOR INCOMING POWER CONNECTIONS

Unit Model	Dimensions - Inches (Millimeters)			Quantity/Unit	
	A	B	C	Blower	Motor
LXA/LXW 02	41 (1041)	22 (559)	17 (432)	2	1
LXA/LXW 03	46 (1168)	27 (686)	21-1/2 (546)	2	1
LXA/LXW 04	54 (1372)	35 (889)	30-1/4 (768)	2	1
LXA/LXW 06	68 (1727)	49 (1245)	43-3/8 (1102)	4	2

TITLE: VERT LOWBOY CABINET 42VE/VX

DWG NO: **1100-90044514** REV: **A**

DRAWN: K.LIETZ	DATE: 03/20/12	APPROVED: J.GRAVES	DATE: 03/20/12
----------------	----------------	--------------------	----------------